

ASSEMBLY INSTRUCTIONS

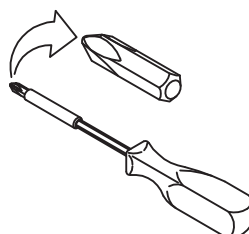
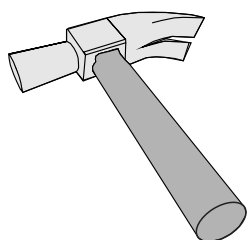
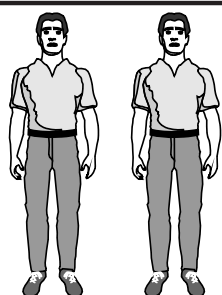
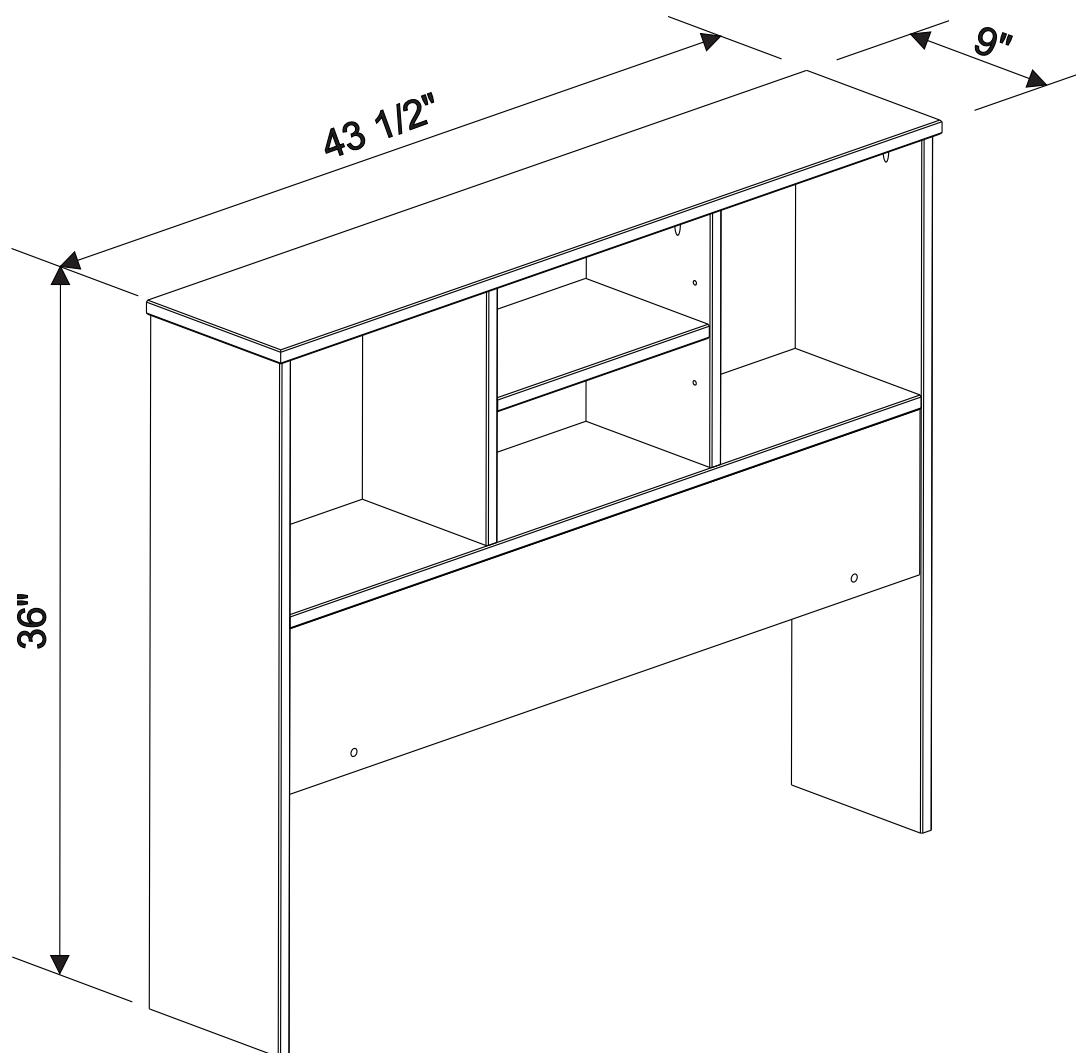
KANSAS TWIN BOOKCASE HEADBOARD

Ref. 2531 - Whitewash

Ref. 2532 - Mahogany

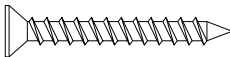

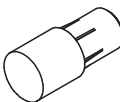

Ref. 2534 - Honey Pine

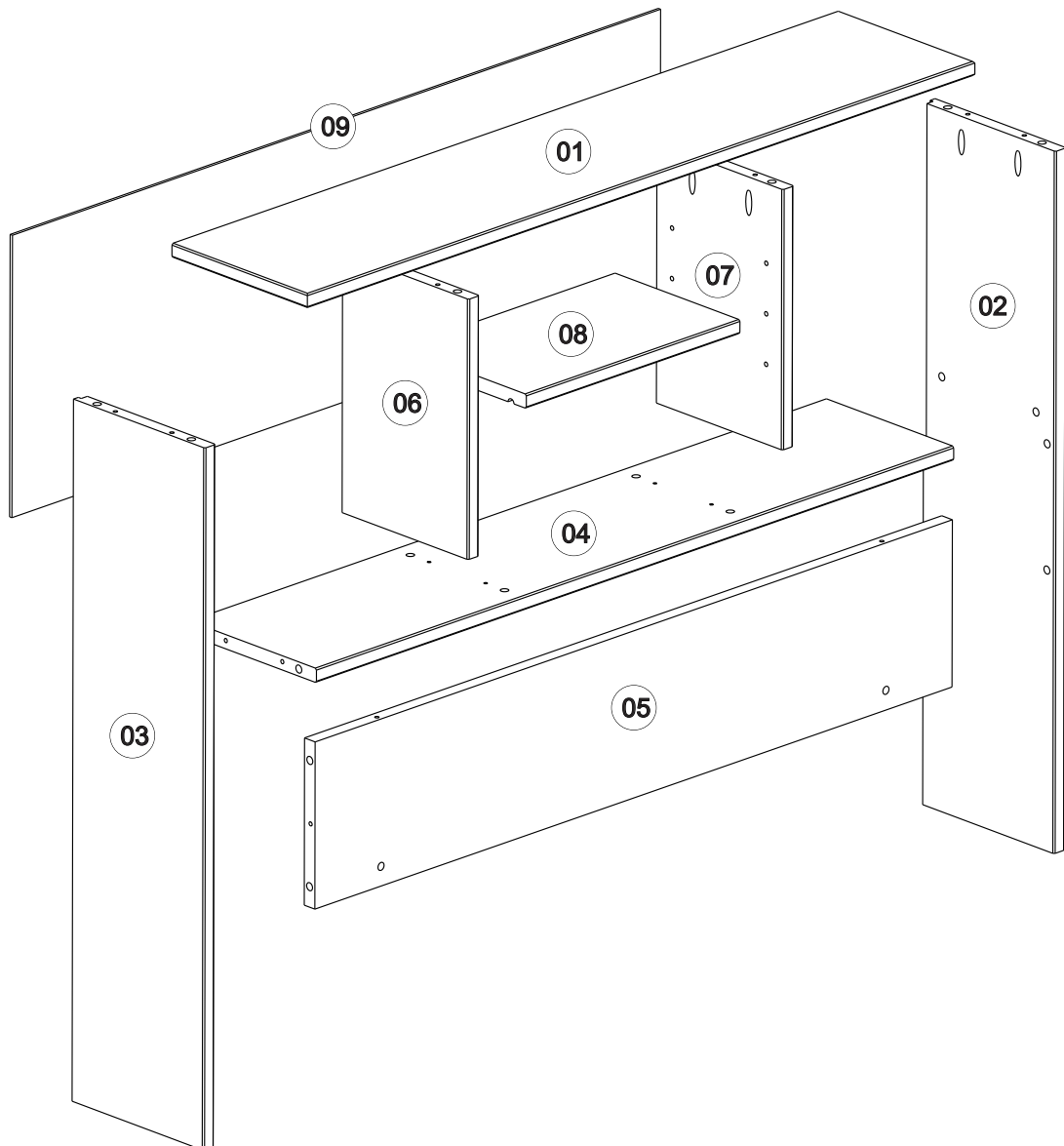
Ref. 2536 - Java



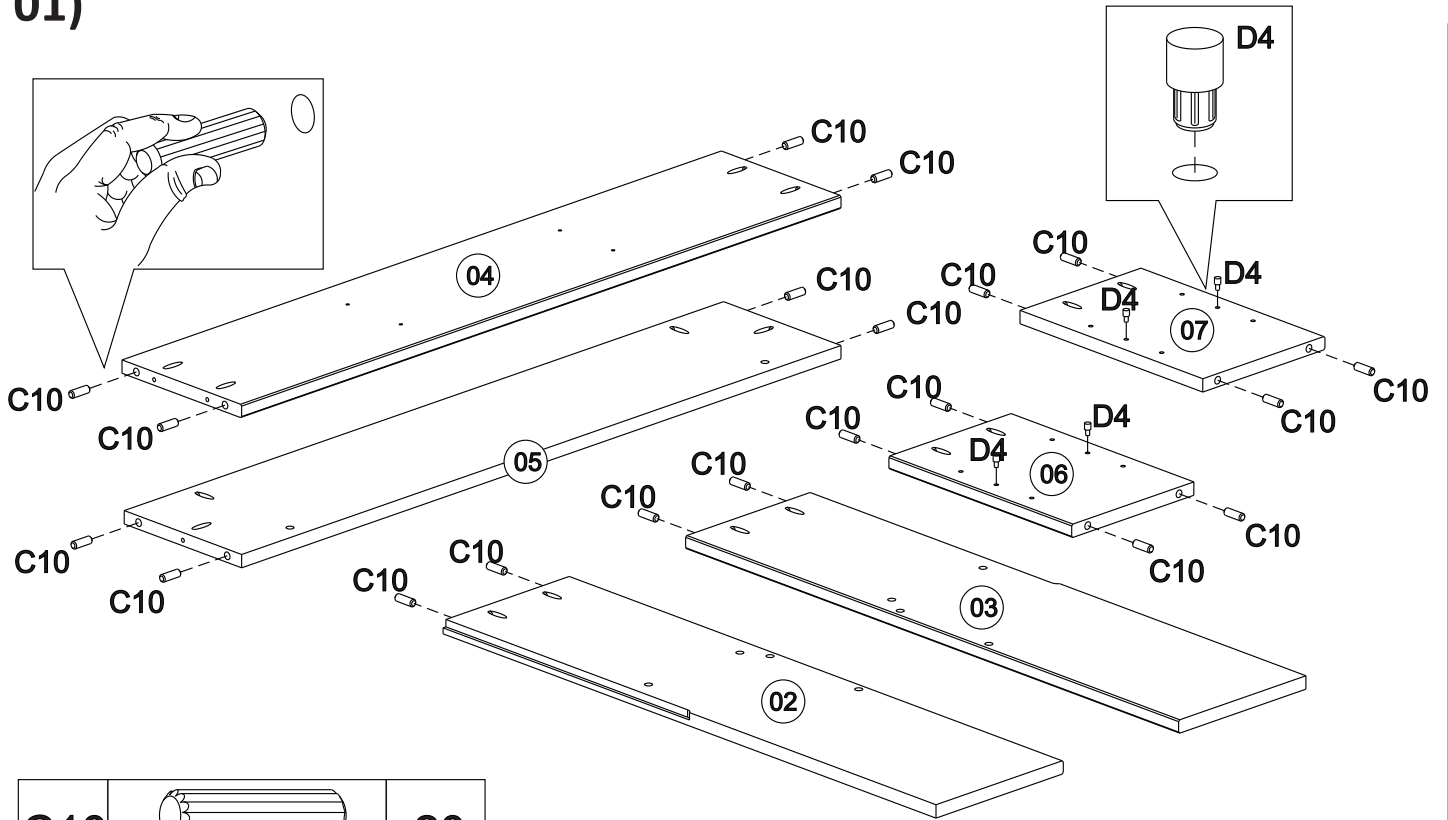
30 min

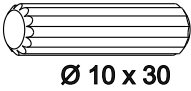

HARDWARE IS SHOWN IN ACTUAL SIZE

A10	 3,5x30	22
C10	 10x30	20
D4		04
G1	 10x10	20

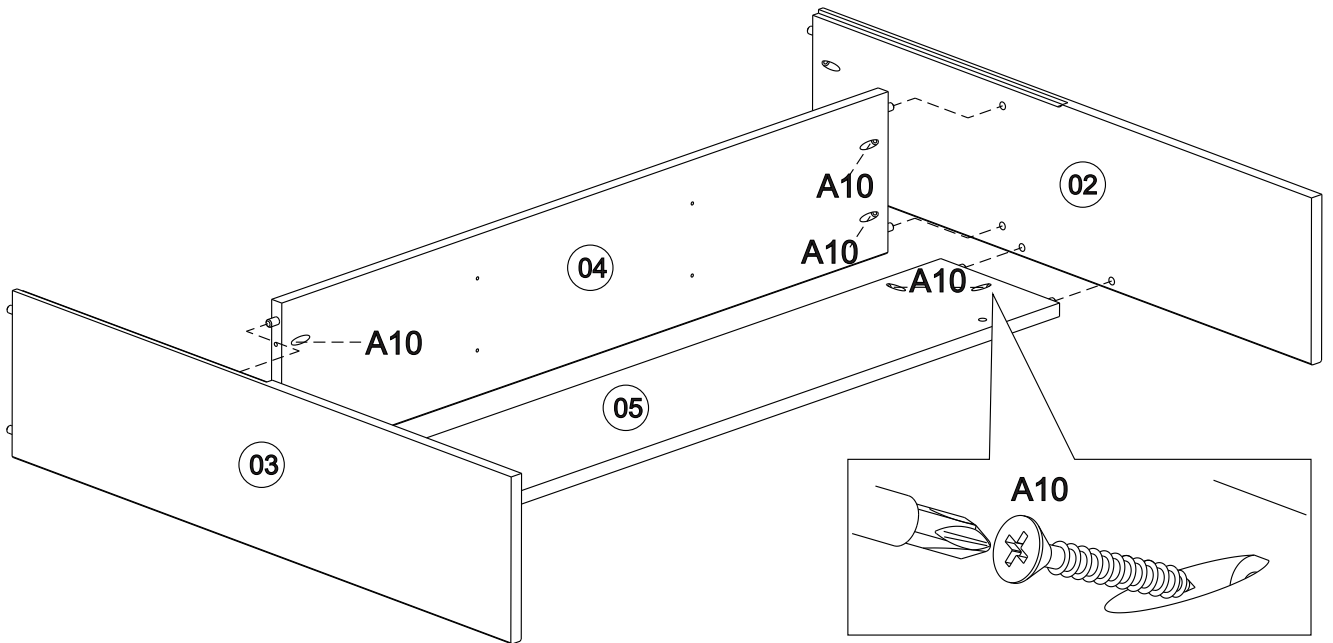



01)



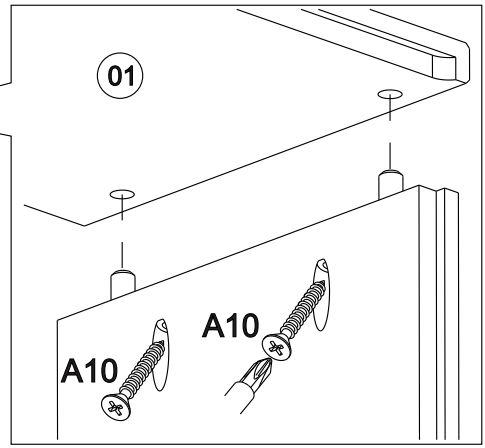
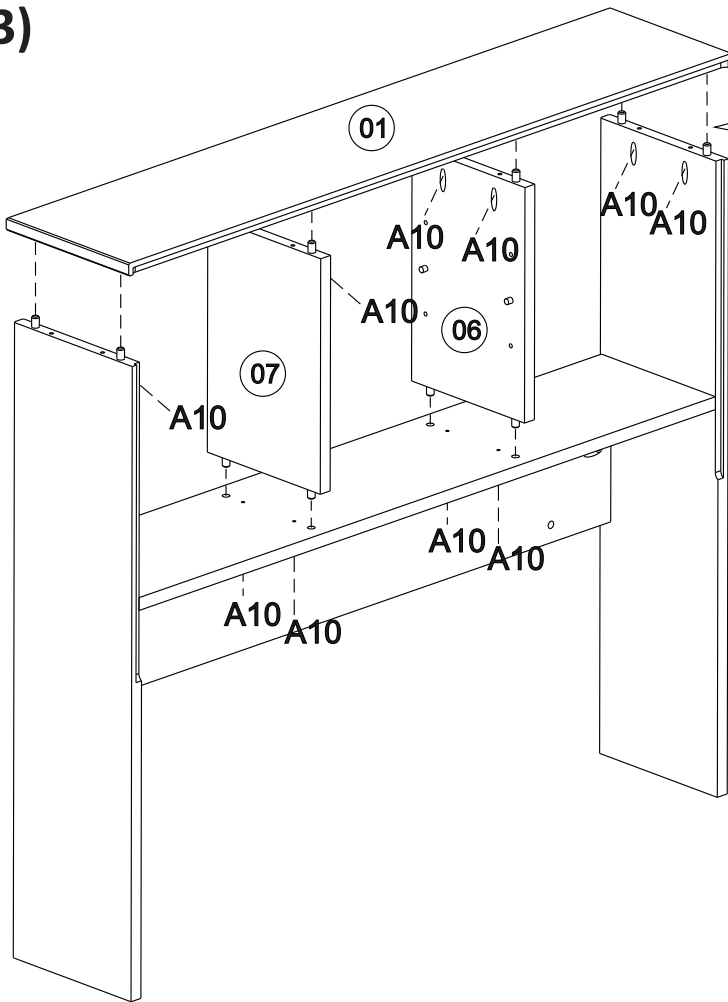
C10	 Ø 10 x 30	20
D4		04


02)



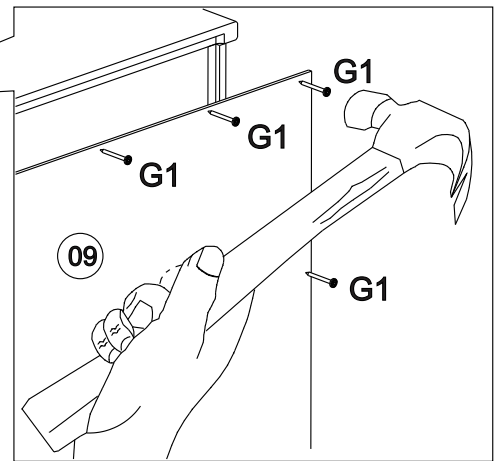
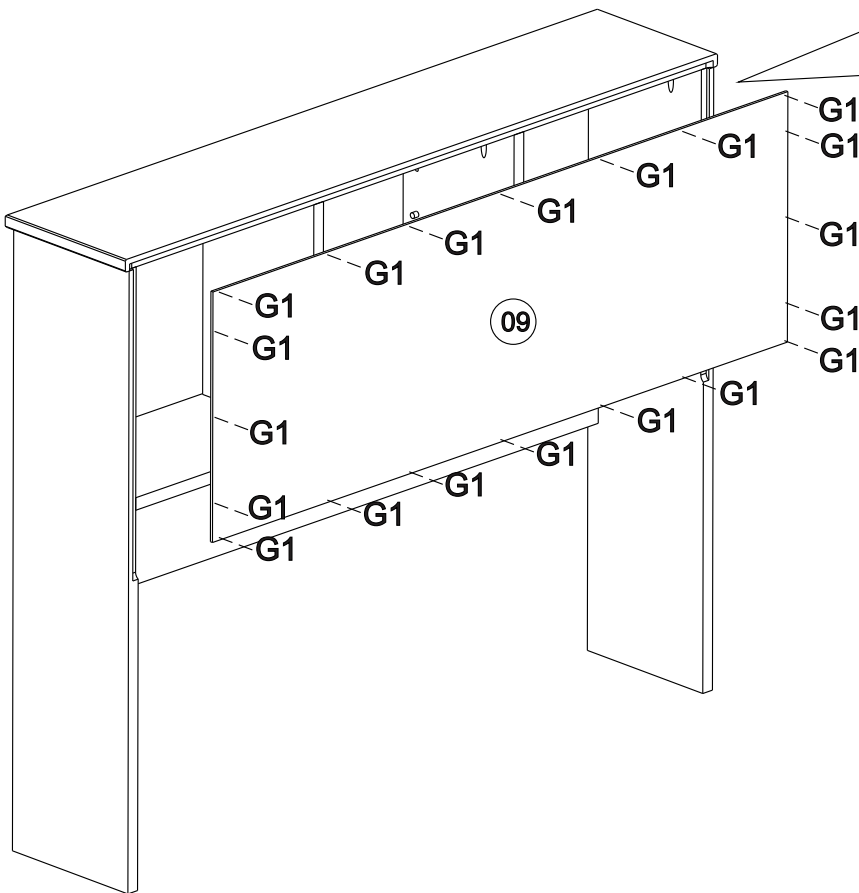
A10	 Ø 3,5 x 30	08
-----	---	----

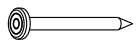
03)



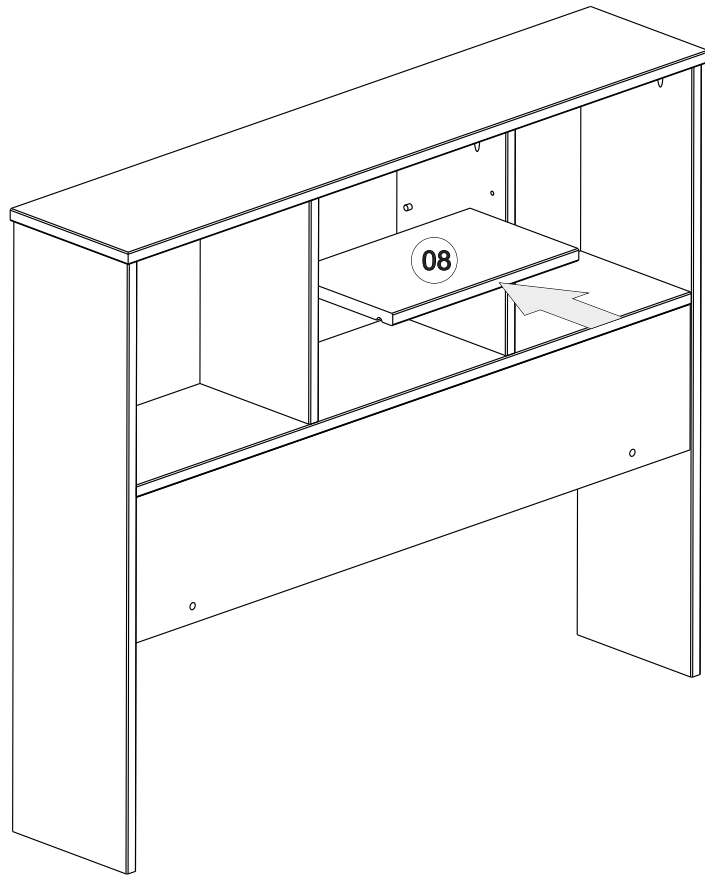
A10	 Ø 3,5 x 30	12
------------	--	-----------

04

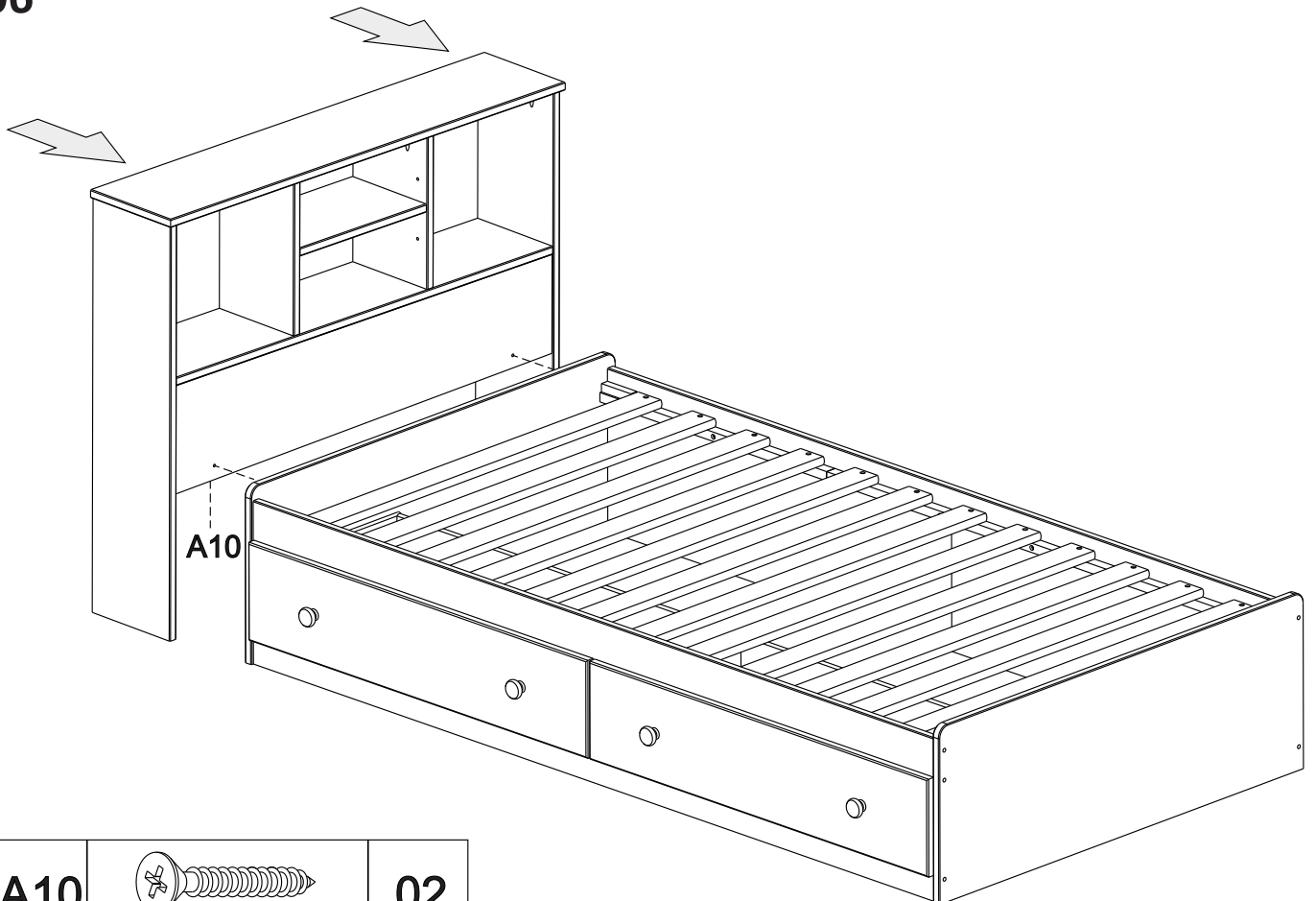



G1	 10x10	20
-----------	--	-----------

05)



06



A10	 Ø 3,5 x 30	02
------------	---	-----------